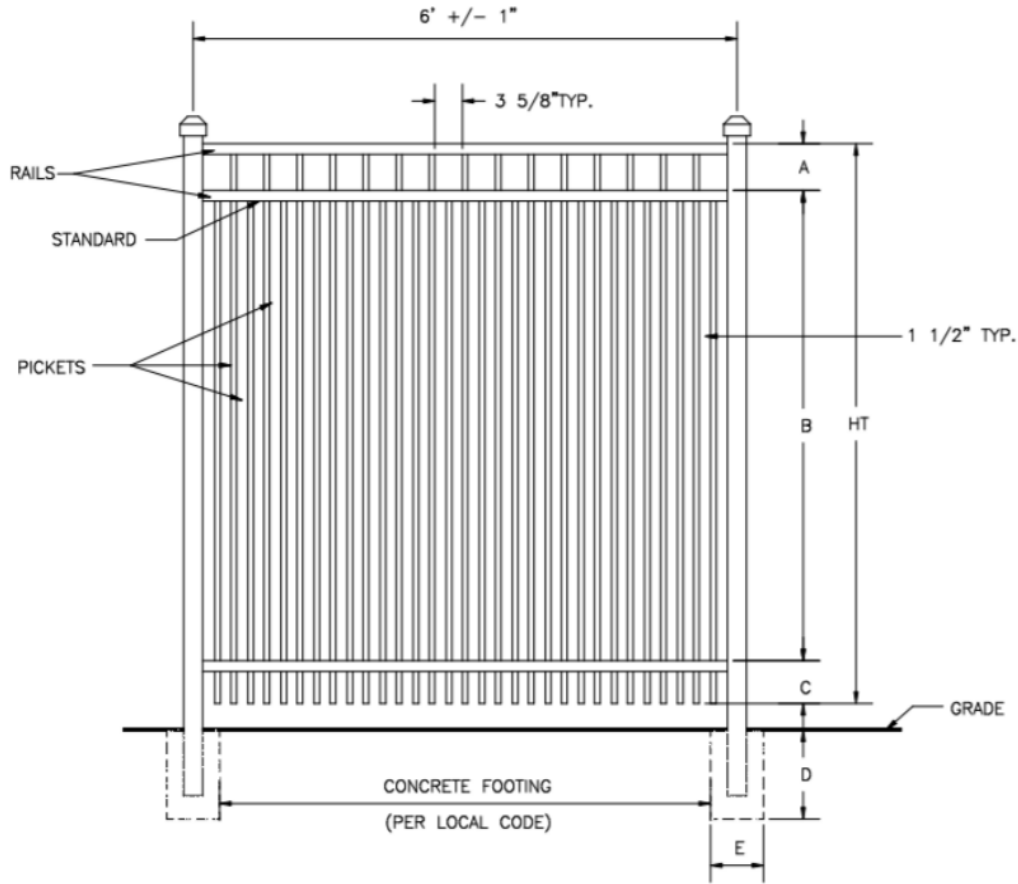


Commercial Aluminum Fence Panel Flat Top, Double Pickets



1 1/2" SPACING

SPECIFICATIONS COMMERCIAL	
POSTS	2"x2"x.080 WALL 2"x2"x.125 WALL 2 1/2"x2 1/2"x.100 WALL 3"x3"x.125 WALL
HORIZONTAL RAILS SIDE WALLS TOP WALLS	1 3/8" x 1 1/4" .088" .065"
PICKETS PICKET SPACING	3/4"x3/4"x.055 WALL 1 1/2"
AVAILABLE HEIGHTS	3, 3 1/2, 4, 5 & 6 FT.
AVAILABLE WIDTHS	5, 6, 7 & 8 FT.

DIMENSIONS					
HT	A	B	C	D	E
3'	6"	24 1/2"	5 1/2"	PER LOCAL CODE	
3 1/2'	6"	30 1/2"	5 1/2"	PER LOCAL CODE	
4'	6"	36 1/2"	5 1/2"	PER LOCAL CODE	
5'	6"	48 1/2"	5 1/2"	PER LOCAL CODE	
6'	6"	60 1/2"	5 1/2"	PER LOCAL CODE	