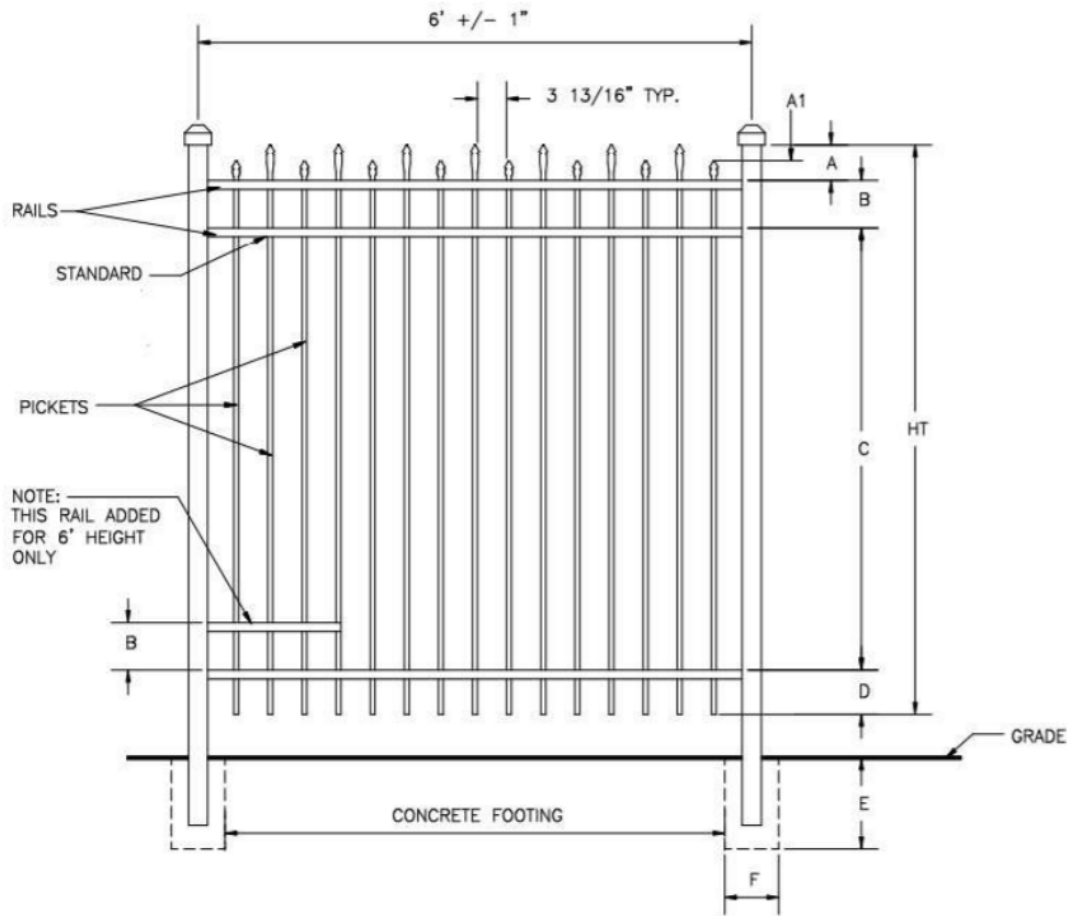


Residential Aluminum Fence Panel Alternating Spear Top!



SPECIFICATIONS RESIDENTIAL	
POSTS	2"x2"x.060 WALL 2"x2"x.125 WALL 2 1/2"x2 1/2"x.100 WALL
HORIZONTAL RAILS SIDE WALLS TOP WALLS	1 1/8" x 1" .082" .062"
PICKETS PICKET SPACING	5/8"x5/8"x.050 WALL 3 13/16"
AVAILABLE HEIGHTS	3, 3 1/2, 4, 5 & 6 FT.

DIMENSIONS							
HT	A	A1	B	C	D	E	F
3'	4 1/2"	1 1/2"	6"	20"	5 1/2"	PER LOCAL CODE	
3 1/2'	4 1/2"	1 1/2"	6"	26"	5 1/2"	PER LOCAL CODE	
4'	4 1/2"	1 1/2"	6"	32"	5 1/2"	PER LOCAL CODE	
5'	4 1/2"	1 1/2"	6"	44"	5 1/2"	PER LOCAL CODE	
6'	4 1/2"	1 1/2"	6"	56"	5 1/2"	PER LOCAL CODE	
ALL DIMENSIONS ARE NOMINAL							