

## ADJUSTABLE

### Heavy Duty Gate Hinge



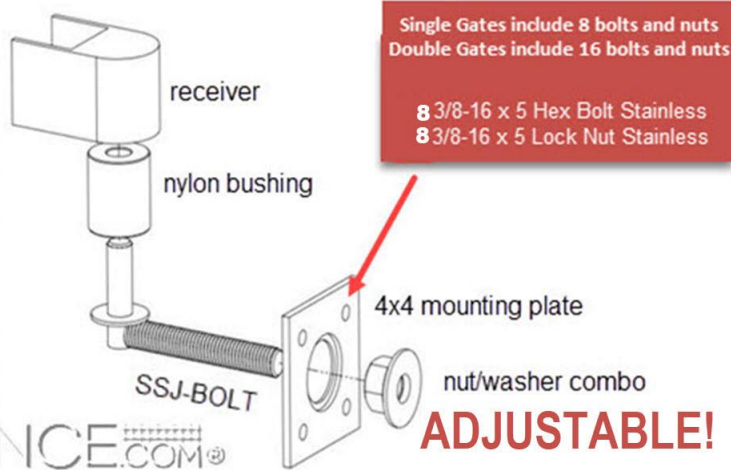
The ultimate gate hinge, our Heavy Duty Gate Hinge is comprised of 4 parts:

**1) Receiver 2) J-Bolt 3) Bushing and 3) 4x4 Plate**

The receivers are welded onto your gate-FRAME(s) at the factory, everything else is shipped in separate packaging. The HD Hinge comes in pairs. 1 pair for single gates, 2 pairs for double drive gates.



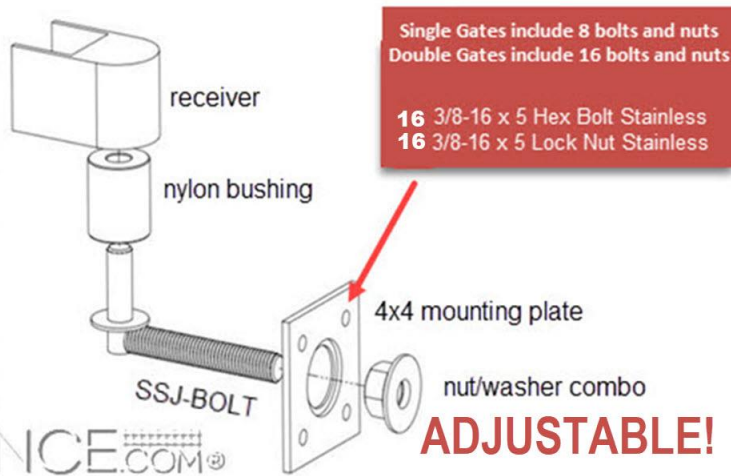
**SINGLE GATES REQUIRE 1 PAIR OF HEAVY DUTY GATE HINGES  
WHICH INCLUDES 8 HEX BOLTS AND 8 LOCK NUTS**



**requires 4" x 4" Gate Posts**  
**receivers factory welded onto your gate frames**

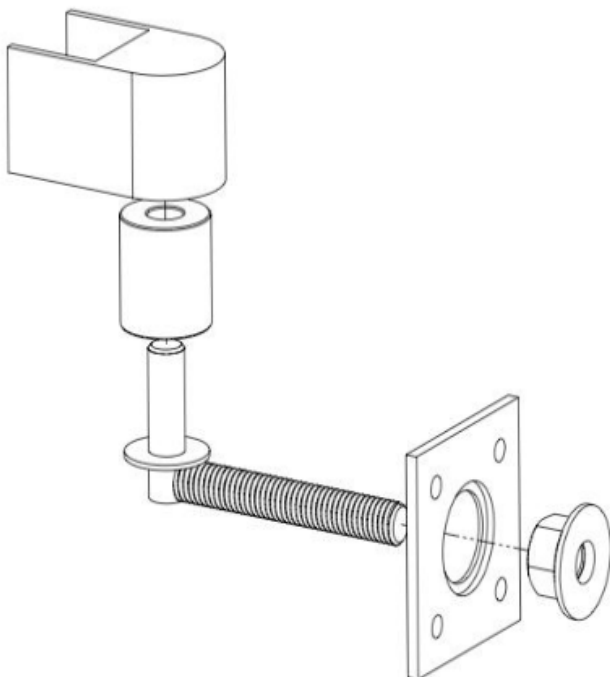
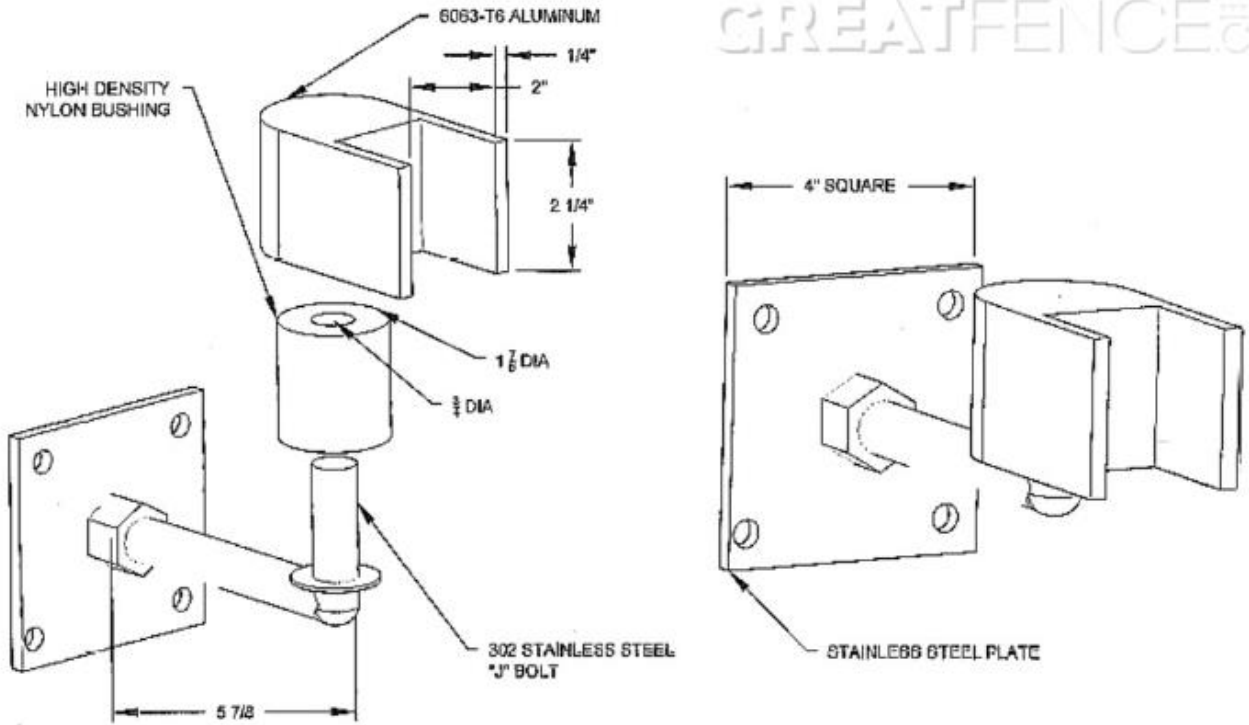
*Dial-IN or Dial-OUT even  
after you've hung the gate!*

**DRIVEWAY GATES REQUIRE 2 PAIRS OF HEAVY DUTY GATE HINGES  
WHICH INCLUDES 16 HEX BOLTS AND 16 LOCK NUTS**



**requires 4" x 4" Gate Posts**  
**receivers factory welded onto your gate frames**

*Dial-IN or Dial-OUT even  
after you've hung the gate!*



When connecting your large gate using these hinges to your own on-site structure (house, building, column), you will need to purchase your own stainless steel bolts locally based upon the type of material you are mounting it to. Use 3/8" x 5" bolts and locknuts.

When purchasing our 4" x 4" posts along with these hinges, you can also order 8 bolts and 8 nuts. If you're mounting this hinge to your own structure (house, building, wall or column), then you must purchase anchor bolts locally. Set the 4" x 4" plate (above, left side) on your structure (house, building, column) or on our 4" x 4" posts and mark it for pre-drilling the holes.

When using our 4" x 4" posts you will drill all the way through our posts. Do the bottom plate first. Once the bottom plate is bolted on (your structure or our 4" x 4" posts), you will have to set the gate on the bottom hinge temporarily in order to mark and drill the top plate. Once this is done, it's just a matter of running a line level (string) from the hinges you just installed across to your other post or structure (house, building, column), to insure gate alignment.

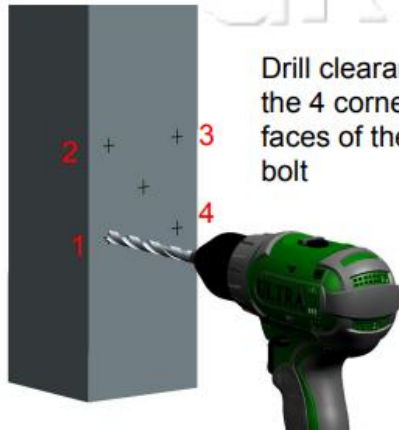




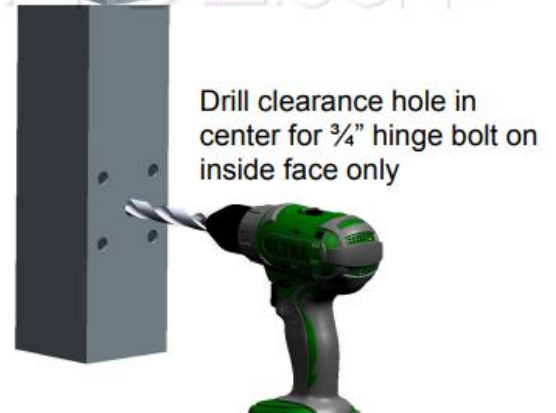
Determine mounting location for your Ultra Hinge



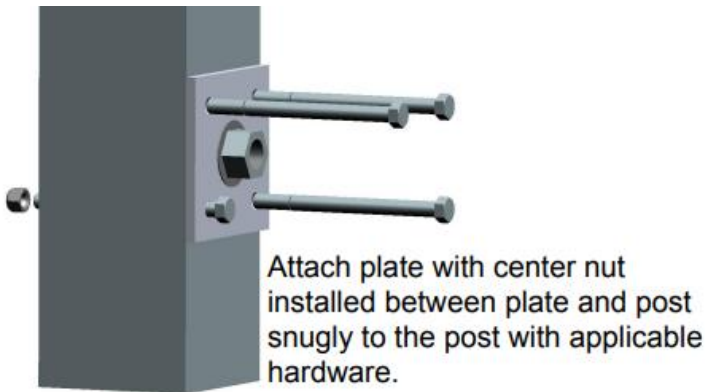
Mark center locations of all holes



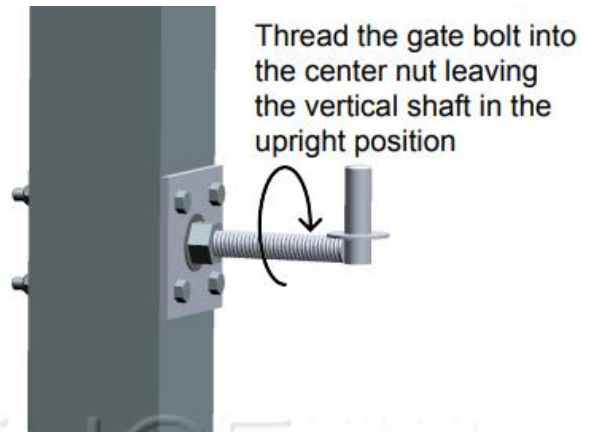
Drill clearance holes in the 4 corner through both faces of the post for  $\frac{3}{8}$ " bolt



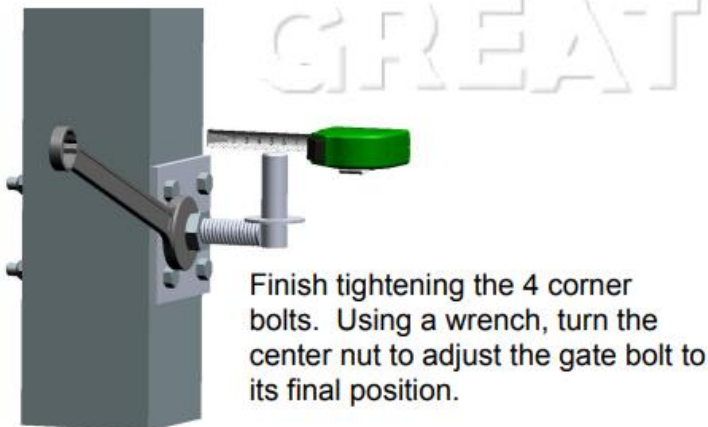
Drill clearance hole in center for  $\frac{3}{4}$ " hinge bolt on inside face only



Attach plate with center nut installed between plate and post snugly to the post with applicable hardware.



Thread the gate bolt into the center nut leaving the vertical shaft in the upright position

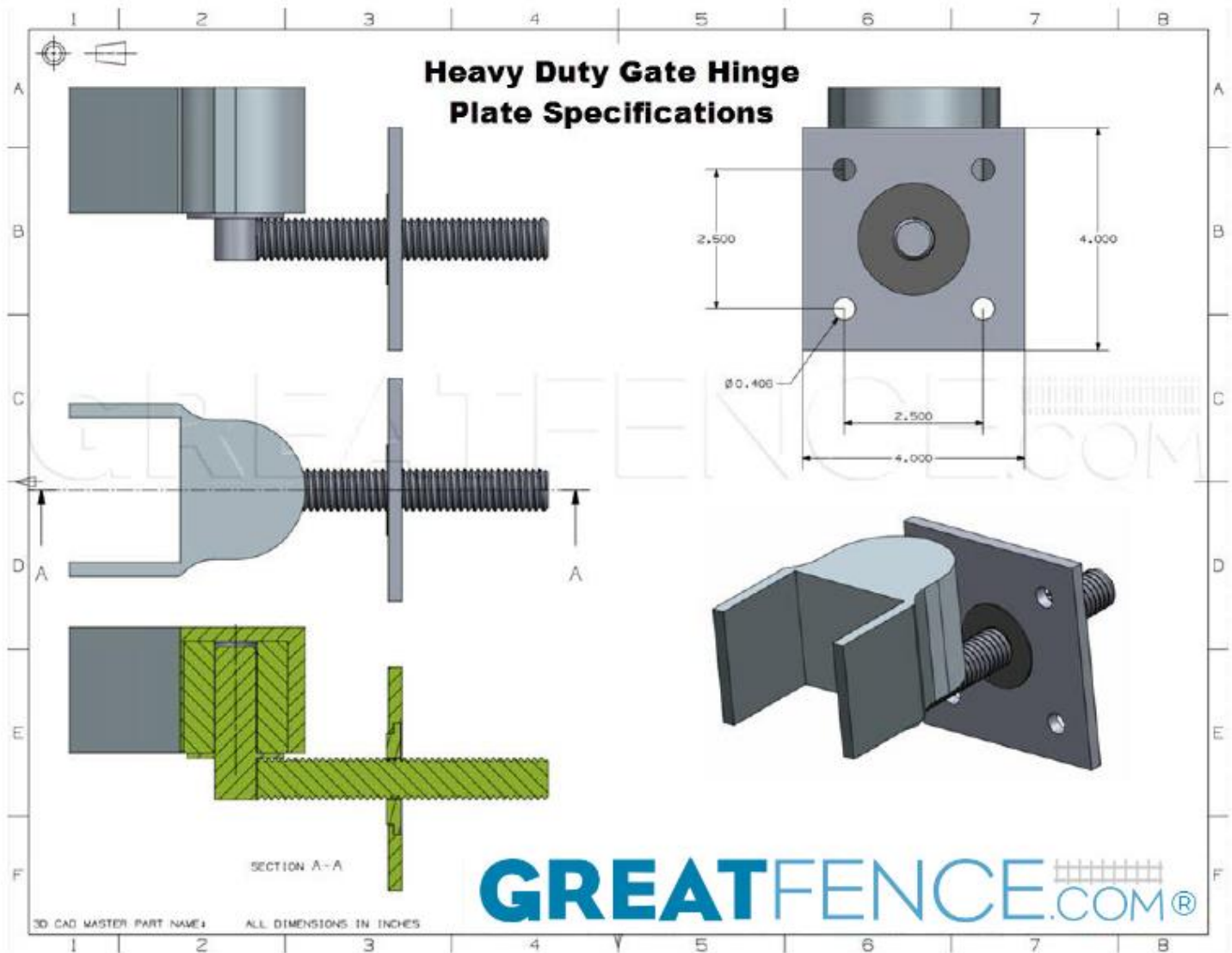


Finish tightening the 4 corner bolts. Using a wrench, turn the center nut to adjust the gate bolt to its final position.



Slide on the supplied nylon bushing.

Repeat these steps for the rest of the plates.



All fence panels, posts and gates are custom made products, built per order, per customer.

**100%** **Made in the USA**



**NO ON-SITE WELDING**

**DIY**