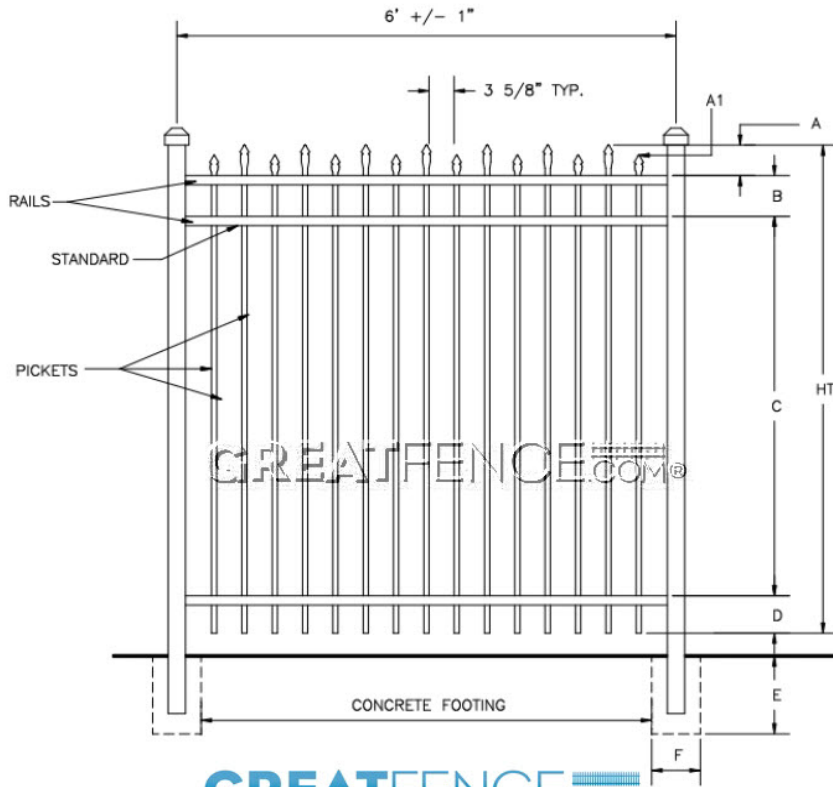


Commercial Aluminum Fence Panel: STYLE 2



ADDING RINGS TO YOUR FENCE PANEL DECREASES "B"

DIMENSIONS							
HT	A	A1	B	C	D	E	F
3'	4 1/2"	1 1/2"	6"	20"	5 1/2"	PER LOCAL CODE	
3 1/2'	4 1/2"	1 1/2"	6"	26"	5 1/2"	PER LOCAL CODE	
4'	4 1/2"	1 1/2"	6"	32"	5 1/2"	PER LOCAL CODE	
5'	4 1/2"	1 1/2"	6"	44"	5 1/2"	PER LOCAL CODE	
6'	4 1/2"	1 1/2"	6"	56"	5 1/2"	PER LOCAL CODE	

ALL DIMENSIONS ARE NOMINAL

SPECIFICATIONS COMMERCIAL	
POSTS	2"x2"x.080 WALL 2"x2"x.125 WALL 2 1/2"x2 1/2"x.100 WALL 3"x3"x.125 WALL
HORIZONTAL RAILS SIDE WALLS TOP WALLS	1 3/8" x 1 1/4" .088" .065"
PICKETS PICKET SPACING	3/4"x3/4"x.055 WALL 3 5/8"
AVAILABLE HEIGHTS	3, 3 1/2, 4, 5 & 6 FT.
AVAILABLE WIDTHS	5, 6, 7 & 8 FT.