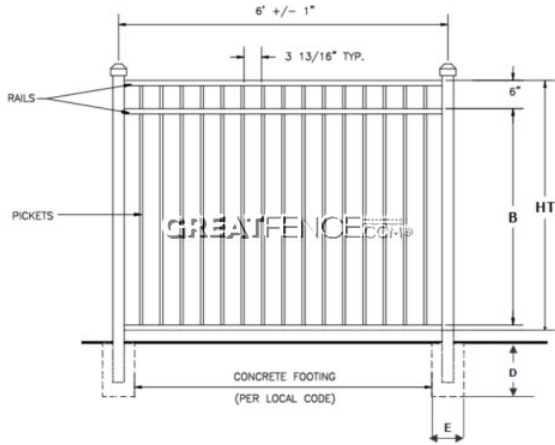


Residential Aluminum Fence Panel: STYLE 9



SPECIFICATIONS RESIDENTIAL	
POSTS	2"x2"x.060 WALL 2"x2"x.125 WALL 2 1/2"x2 1/2"x.100 WALL
HORIZONTAL RAILS SIDE WALLS TOP WALLS	1 1/8" x 1" .082" .062"
PICKETS PICKET SPACING	5/8"x5/8"x.050 WALL 3 13/16"
AVAILABLE HEIGHTS	3, 3 1/2, 4, 4 1/2, 5 & 6 FT.

DIMENSIONS				
HT	A	B	D	E
3'	6"	30"	PER LOCAL CODE	
3 1/2'	6"	36"	PER LOCAL CODE	
4'	6"	42"	PER LOCAL CODE	
5'	6"	54"	PER LOCAL CODE	
6'	6"	66"	PER LOCAL CODE	
*54"	6"	48"	PER LOCAL CODE	

*Complies with Boca 45 inch vertical rule